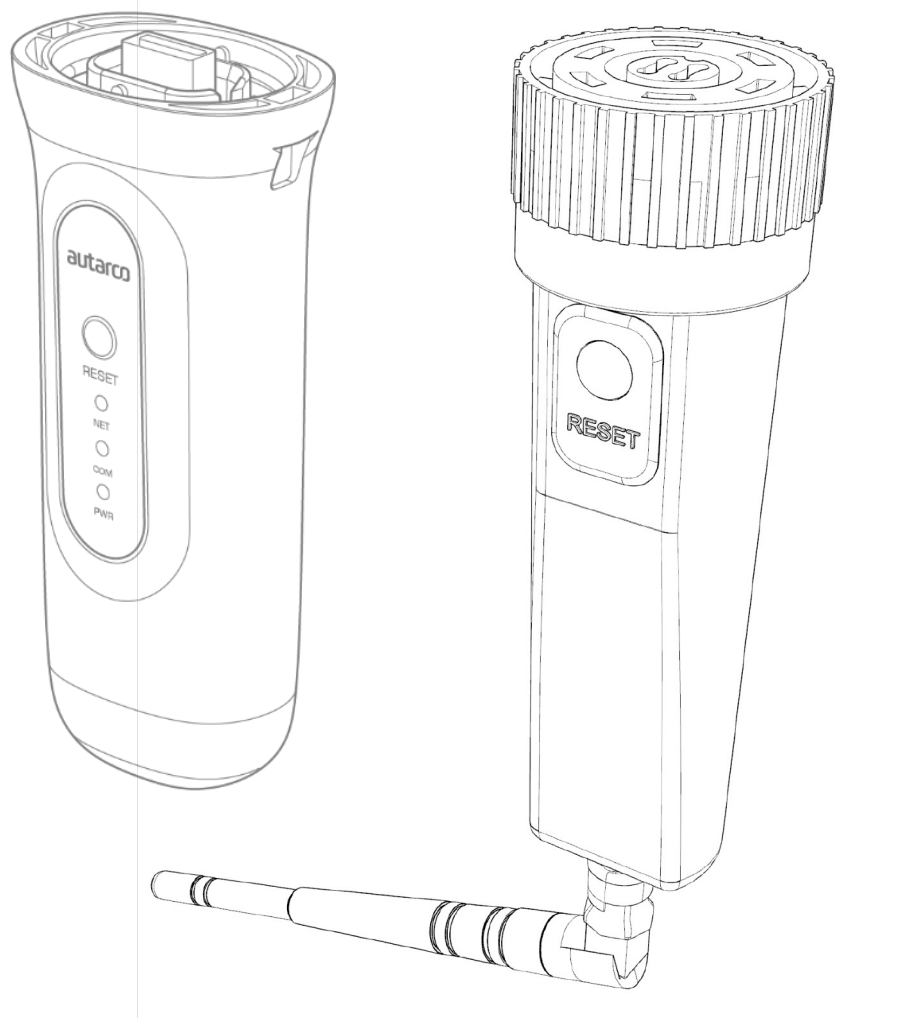


autarco

Installation Manual

Digital WIFI-STICK for Autarco inverters



Contact Information

Autarco Group B.V.
Torenallee 20
5617 BC Eindhoven
The Netherlands

www.autarco.com
info@autarco.com

Other Information

This manual is an integral part of the unit. Please read the manual carefully before installation, operation or maintenance. Keep this manual for future reference.

Product information is subject to change without notice. All trademarks are recognized as the property of their respective owners.

© Autarco Group B.V.
All rights reserved.

Table of Contents

1 Introduction 4

- 1.1 Read this first 4
- 1.2 Important symbols: 4

2 Connection structure for WiFi monitoring 5

- 2.1 Topology overview 5
- 2.2 LED indicator lights 6

3 Installation 8

- 3.1 Install 4-pin Communication stick 8
- 3.2 Install USB Communication stick 9
- 3.3 Connection with several inverters 10
- 3.4 Connect the stick to the local WiFi network 11
- 3.5 New stick's IP address after installation 16

4 Access MyAutarco monitoring platform 17

- 4.1 Access MyAutarco monitoring platform (Installer) 17
- 4.2 Access MyAutarco monitoring platform (user) 17
 - 4.2.1 After installation of the stick by the installer 17
 - 4.2.2 After installation of the stick by the user 17
 - 4.2.3 Download MyAutarco App 18

5 Resetting the stick 19

6 Troubleshooting 20

- 6.1 The stick has no power (red 'PWR' indicator is off) 20
- 6.2 The red 'PWR' light is on, but the orange 'COM' light is off 20
- 6.3 Signal quality 21
- 6.4 Local router settings 21

7 FCC Certification 23

1 Introduction

1.1 Read this first

The main purpose of this user manual is to provide instructions and detailed procedures for installing, operating, maintaining, and troubleshooting the Autarco WiFi stick D (digital WiFi sticks) which are used with Autarco inverters. Please keep this user manual available at all times. This manual is for the following communication sticks:

- **S2.WIFI-STICK-D.1** -For inverters with a 4-pin connection
- **S2.WIFI-STICK-D.U1** -For inverters with a USB connection

Note: When designing with Helios, your Autarco system will be delivered with the right communication stick compatible for your inverter.

1.2 Important symbols:



WARNING! Indicates safety instruction, which if not correctly followed, can result in injury or property damages.

2 Connection structure for WiFi monitoring

2.1 Topology overview

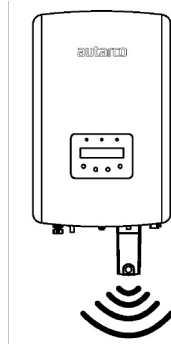


Figure 1. Inverter(s) met S2.WIFI-STICK-D

Inverters(s) communicate via WiFi-stick D with local router



Figure 2. Local router

WiFi-stick D communicates via local router with the Autarco-server

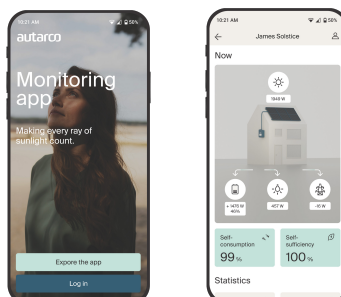
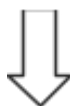


Figure 3. <https://my.autarco.com>



Monitoring data becomes visible in MyAutarco platform

2.2 LED indicator lights

There are three LED status indicator lights on the WiFi-stick. The PWR light (red), or power light, indicates power status of the stick. The COM light (orange), or communication light, indicates communication between the stick and the inverter. The NET light (green), or network light, indicates communication between the stick and the Autarco server.



Figure 4. LED lights on 4-pin Stick (left) USB Stick (right)

| LED indicator | Status | Description |
|---|----------|--|
|  NET / green | ON | The stick is connected to the Autarco server. The monitoring connection was successful. Monitoring data is forwarded. |
| | BLINKING | The stick is trying to connect to the Autarco server. |
| | OFF | The stick does not connect to the Autarco server. |
|  COM / orange | ON | The stick can receive data from all connected inverters. |
| | BLINKING | A. The stick is processing data from an inverter, or, B. The stick is performing a software upgrade (if the green NET light is also flashing at the same time). |
| | OFF | The stick can <u>not</u> receive data from at least one of the connected inverters. |


| | | |
|--|----------|--|
|  PWR / red | ON | The stick is powered (the stick is on). |
| | BLINKING | The stick is not getting enough voltage. |
| | OFF | The stick is not powered (the stick if off). |

Figure 5. Summary of LED information

If the LEDs do not turn on after installation in the inverter, proceed to chapter 6.

3 Installation

3.1 Install 4-pin Communication stick

1. Plug the WiFi stick into the corresponding connection point on the inverter.

Note: ensure that the position of the connection piece of the stick is correct. Place the small notch on the terminal correctly so that the numbering of the 4-pin connector matches the numbering on the inverter.

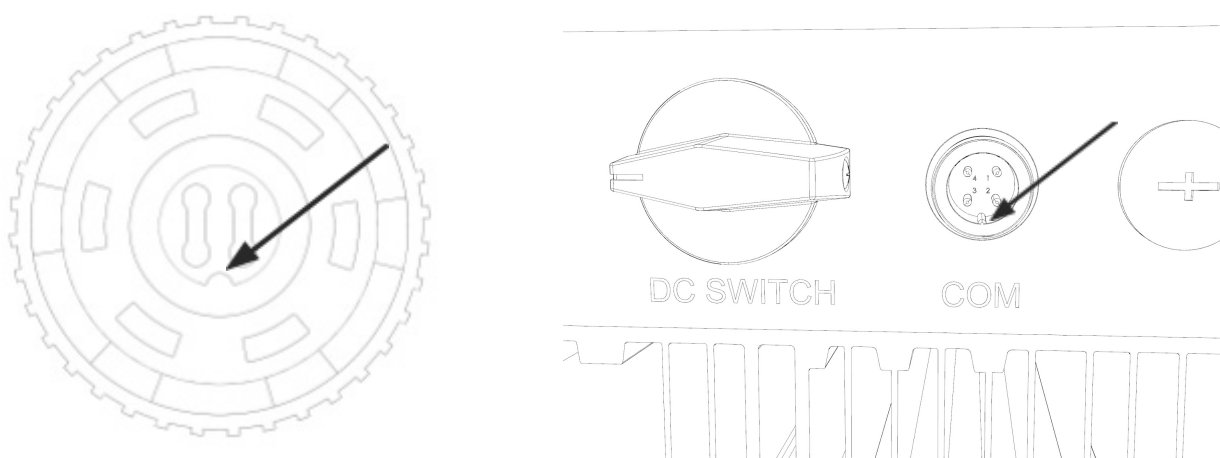


Figure 6: 4-pin connector notch & COM Port for Inverters with 4-pin connection

2. Tighten the stick using the black ring on the top of the stick.



WARNING! To avoid damage, do not twist the blue housing itself. Always hold the stick with 1 hand and use the other hand to rotate the screw. Hand tightening is enough. Twisting the stick itself while in the inverter will destroy the cables inside the stick and void the warranty!

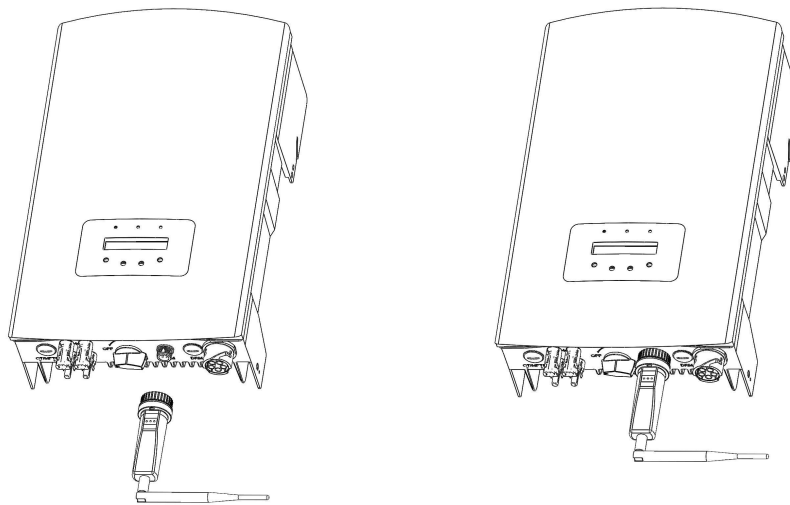


Figure 7. Connection point & 4-pin stick installation

3.2 Install USB Communication stick

1. Plug the WiFi stick into the corresponding connection point on the inverter.

Note: ensure that the position of the connection piece of the stick is correct. Match the joint indicated below on the inverter to correctly connect the USB connection.

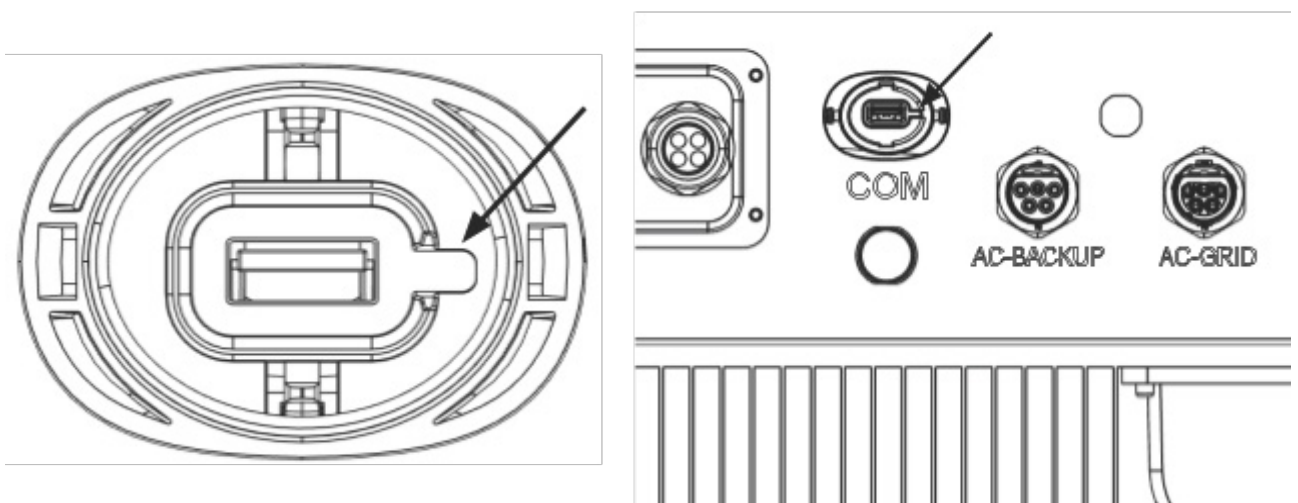


Figure 8: USB connector notch & COM Port for Inverters with USB connection

2. Press both sides of the protective cover and open the inverter USB port protective cover. Align the WiFi data logger with the USB port groove of the inverter and install it directly.

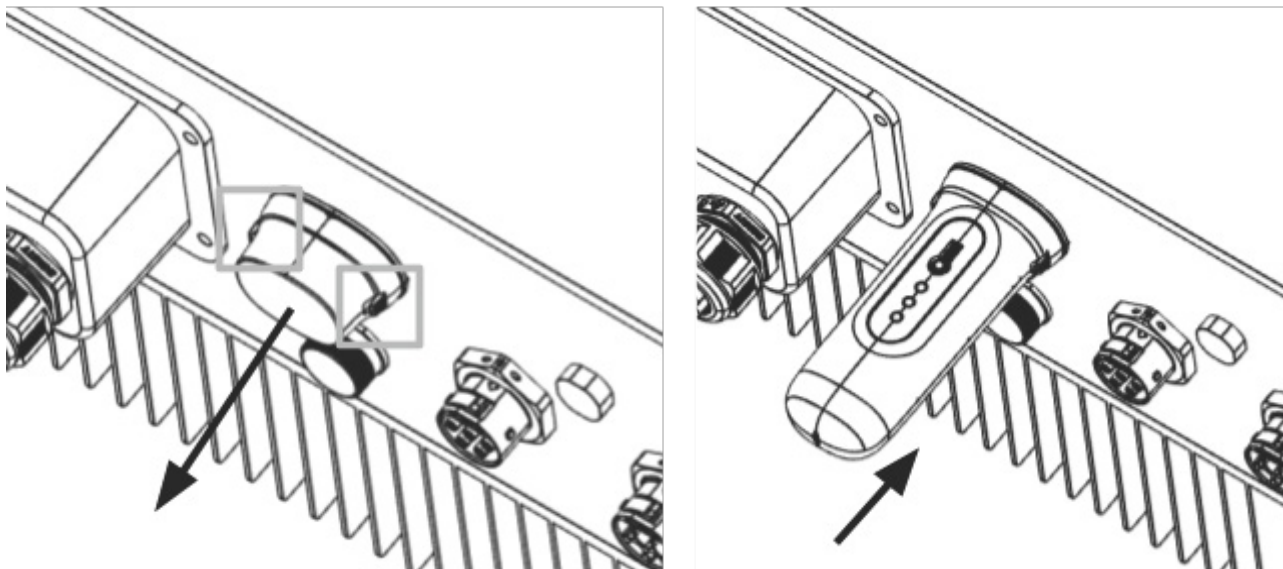


Figure 9: Connection point & USB Stick installation



WARNING! The WiFi stick must be kept away from large metal objects and electrical devices with strong magnetic fields, such as microwave ovens, refrigerators, PV panels and metal walls to ensure the communication quality. Communication quality may be affected in lightning storms.

3.3 Connection with several inverters

The WIFI-STICK-D can also be used to read out several inverters. To do this, the inverters must be daisy-chained.

1. Connect multiple inverters in parallel with network cables.
2. Connect the WIFI-STICK-D to the first inverter.
3. Set different addresses for each inverter. For example, if three inverters are connected, the address of the first inverter should be set to "01", the second inverter to "02" and the third inverter to "03".
 - a. On the inverter, press ENTER and then UP/DOWN to navigate to the SETTINGS.
 - b. Select SET ADDRESS
 - c. Use UP/DOWN to select the correct address and press ENTER to save.
 - d. See the inverter manual for more information.

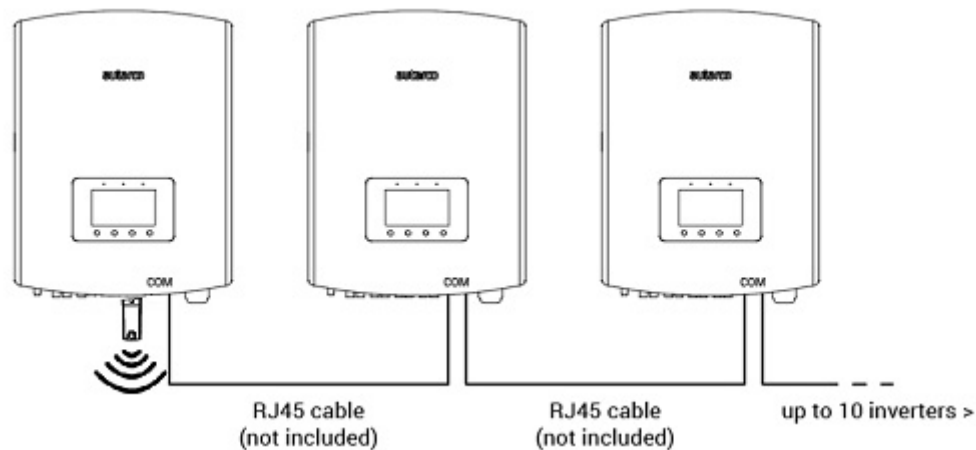


Figure 10. Daisy-chaining multiple inverters

3.4 Connect the stick to the local WiFi network

When the stick is connected to a generating inverter successfully, the red “PWR” indicator will turn on immediately. The orange “COM” indicator will start to flash and then turn solid. The “NET” indicator should be flashing.

If the PWR and/or COM LED is blinking or does not lit, go to chapter 6. Only proceed with the next steps after both PWR and COM indicators are on. You will now establish the connection between the monitoring device and Autarco’s server by using the existing on-site WiFi network.

This is done in two steps:

- A. Connecting to the local WiFi network of the stick.
- B. Entitle the stick to connect to the router on site via the stick's online interface.

The stick can then use the local internet connection to send monitoring data via your local router to the Autarco server. Proceed as follows:

1. Find the serial number of the stick. This is on a sticker on the back of the stick:



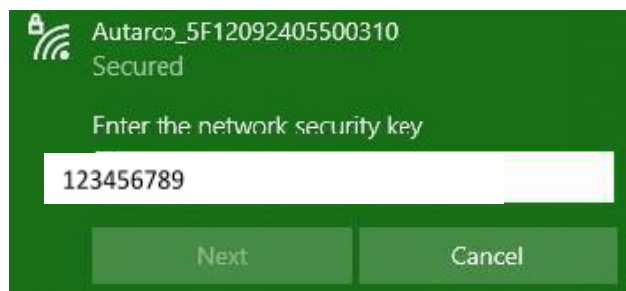
5F12092405500310

As an example we will use WiFi serial number 5F12092405500310. Your stick has a different number.

- Each WiFi stick creates its own secured wireless network with a network name: Autarco_<serial number> e.g. "**Autarco_5F12092405500310**". Connect to this wireless network with a computer, laptop, tablet or mobile phone and use the password below.

Password: **123456789**

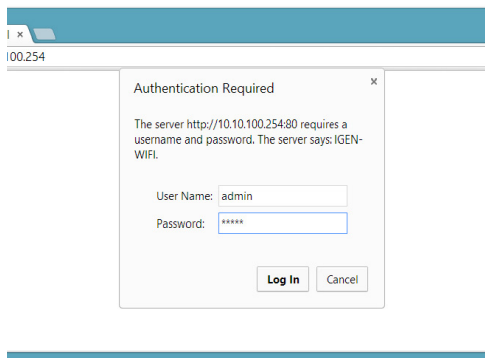
The figure shows an example of this screen in Windows:



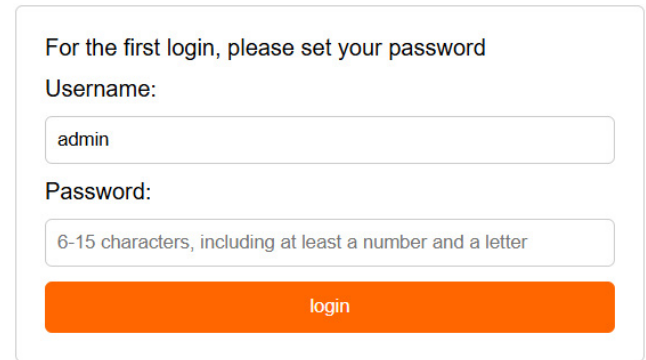
- After you are connected to this WiFi network, enter the IP address **10.10.100.254** in the address bar of your web browser:



- Access to the configuration interface of the WiFi stick is password protected. When prompted for the username and password, use
Username: **admin**
Password:
 - For devices delivered from Q4 2024 onward, a new password creation is needed. Please make sure between 6 and 15 characters are used, including at least one number and one letter.**
 - For older devices use the password "123456789"**



For old devices



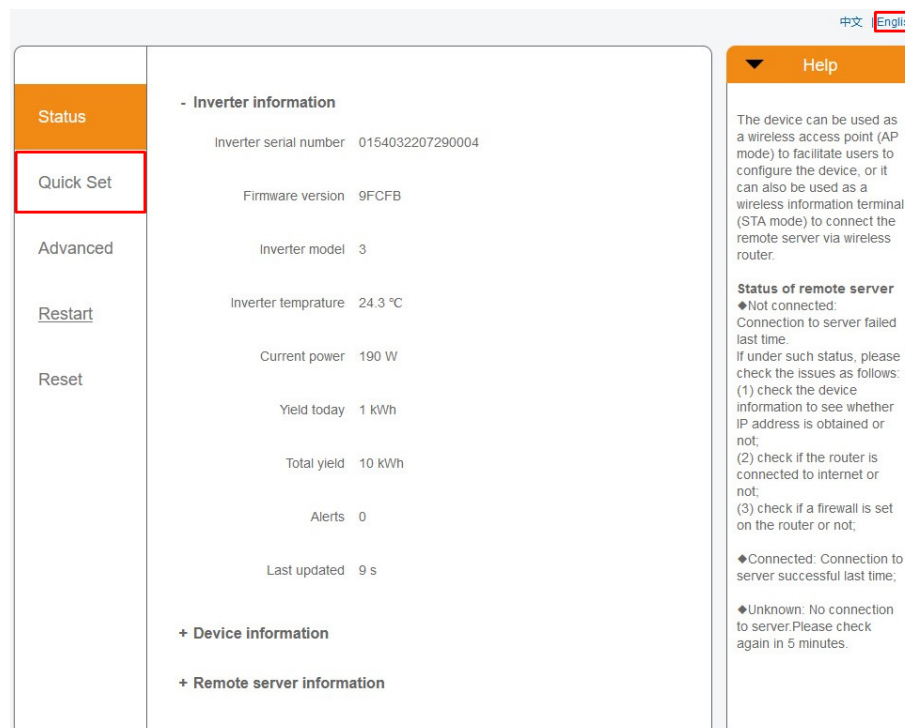
For devices delivered from Q4 2024 onward



WARNING! Passwords are case sensitive. If using an iPad, iPhone or other tablet device, please ensure that the first character of the password hasn't automatically become uppercase.

5. Click **Quick Set** from the main menu on the left.

*If the menu is in Chinese, press **English** in the top right corner.



6. Click **SEARCH**.

Web Ver:1.0.0

7. A list of nearby WiFi networks will now appear. Find the WiFi signal of your own WiFi router and select it by clicking on the dot. This is the same WiFi network that you connect to on your home devices to use the internet. Click **OK** to continue. If your network is not listed, click **Refresh** and make sure the signal is present at the inverter location. For example, check whether this is the case on your phone. If the strength (RSSI) of the WiFi signal is lower than 30%, no or poor connection* will be established with the inverter.

| Site Survey | SSID | RSSI(%) | Channel |
|----------------------------------|------------------------------|---------|---------|
| <input checked="" type="radio"/> | Your home Wi-Fi network | 100 | 64 |
| <input type="radio"/> | Wi-Fi Extender | 100 | 64 |
| <input type="radio"/> | Wi-Fi Repeater | 100 | 64 |
| <input type="radio"/> | Your neighbors Wi-Fi network | 100 | 64 |
| <input type="radio"/> | Ziggo-43643E | 100 | 64 |
| <input type="radio"/> | VRV9517UWAC34-A-99 | 100 | 64 |
| <input type="radio"/> | Tinnie en Lauw wifi | 80 | 96 |

Web Ver:1.0.0

8. Enter your local WiFi network password. You can click on the eye icon to make the password visible. This is the same password that you use on other devices to connect to the Internet: it may be on the back of your router.



WARNING! Passwords are case sensitive. If you're using an iPad, iPhone, or other mobile device, make sure the first character of the password isn't automatically capitalized.

**Make sure the inverter is installed within range of your local WiFi network. If necessary, move your router or use a WiFi extender or an extra Access Point.*

9.

- a. If your local WiFi router is set up to assign IP addresses automatically, click **Save** to complete the installation. This is the most commonly used method.
- b. If you have a corporate network, disable the "Obtain an IP address automatically" option by **Disable** selecting, enter the next four fields and click **Save** to

After you click **Save** , the WiFi stick will restart and try to connect to your WiFi network. If this is successful, the stick's own WiFi signal will be disabled so that no one can log in to it. All three lights will now be solid.

10. The installation is complete when all three LEDs are solid. The LEDs will blink occasionally when the stick is transmitting data. The inverter is now connected to your local WiFi network and transmits its monitoring data to our Autarco server.

If the green light is not solid, try the following:

- Reconnect to the stick's WiFi network/AP (Autarco_<serial number>).
- If it doesn't show up, press and hold the reset button on the stick for **15 seconds** until the COM light (orange) and NET light (green) **go out**. This will reset the stick and will enable AP mode again.
- Repeat steps 1 to 8

Note: Always make sure that **your router's WiFi channel** is set from **1 to 11** (not 12 or 13).

3.5 New stick's IP address after installation

After a successful connection, the stick's IP address will change. To find out this IP address, log in to the router to find the new IP address in the list of connected devices. Some routers require you to switch off and on to refresh the list of connected devices.

4 Access MyAutarco monitoring platform

4.1 Access MyAutarco monitoring platform (Installer)

Once the Autarco server successfully receives monitoring messages, you need to link the data to the associated system (digital twin) in Helios and generate the MyAutarco login for the end user. End users should contact their installer for this.

By registering and linking the serial numbers of the installed products, Autarco software knows to which system, inverter and string the received monitoring data must be linked. Then we start displaying the data in MyAutarco for both the dealer and the end user.



NOTE TO THE INSTALLER

Before registering the system with Autarco, you must confirm the following from your customer regarding the creation of their monitoring and kWh warranty certificates:

- First name
- Last name
- Email address
- Phone number
- Installation address

4.2 Access MyAutarco monitoring platform (user)

4.2.1 After installation of the stick by the installer

You will receive your login details by email after the installer has registered your system with Autarco. You can access monitoring data on MyAutarco, via the website <http://my.autarco.com> or via the MyAutarco app.

4.2.2 After installation of the stick by the user

If you, as the owner of the solar power system, have installed a stick or have replaced a stick, it is necessary that the serial number is registered by your original installer. Only then will the monitoring work on the website and in the MyAutarco app.

Only if your installer can no longer help you, you can send an email to support@autarco.com. Then we can register the serial number for you. For a quick processing, we need the following information:

- First name and last name
- Address (of installation)

- E-mail address
- **Serial number of newly installed stick**
- **Serial number of inverter**
- If applicable: serial number of removed stick

4.2.3 Download MyAutarco App

MyAutarco monitoring app is available on both Android and iOS devices. Here are three ways you may download and install the app:

1. Visit www.autarco.com to download the latest version of our app.
2. You can simply search “**MyAutarco**” in Google Play or Apple App Store to find the latest version of our app.
3. You may scan the QR code below to download the latest version of MyAutarco.



5 Resetting the stick

The reset button on the stick has two functions:

1. Force a message

Briefly press the reset button once to force a message that is immediately sent to the Autarco server.

2. Perform reset

Press and hold the reset button for 15 seconds to reset the stick to factory settings. The COM light (orange) and NET light (green) turn off temporarily. This reset will then re-enable the stick's WiFi Access Point (stick's WiFi network) so that you can redo the settings in chapter 3.

Warning! **DO NOT** remove the WiFi-stick from the inverter. This is not necessary for reset.

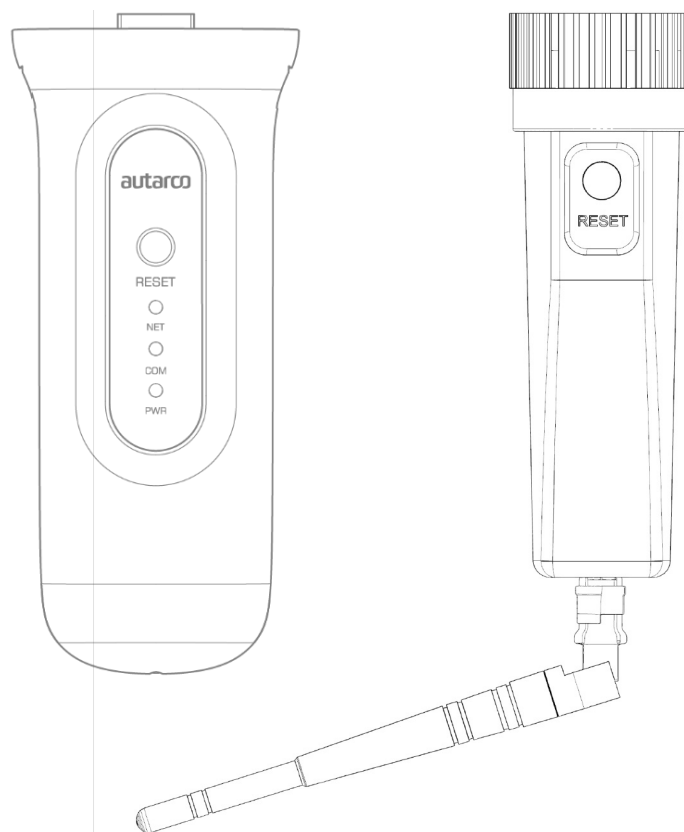


Figure 11. Reset button on stick

6 Troubleshooting

6.1 The stick has no power (red 'PWR' indicator is off)

If the inverter is powered on, the stick is installed correctly and the address setting in the inverter is <01>, but the red LED does not turn on, then the stick may be defective and/or the internal cables are broken.

Try installing another stick, making sure that you **only use the black ring** to tighten. **NOT the blue housing** of the stick. Hold the stick with one hand and turn the black ring with the other hand.

6.2 The red 'PWR' light is on, but the orange 'COM' light is off

The WiFi-stick is powered (on), but cannot receive data from at least one of the connected inverters.

1. Briefly press the button on the back of the stick once (this will attempt to force a message).
2. Check the address setting* of the inverter.

Address setting in inverter:

If the WiFi-stick only reads out one inverter, the address setting of the inverter must always be <01>. If the LAN-stick reads more than one inverter, the first inverter must be set to <01>. The other inverters must be numbered consecutively.

To check the inverter address, use the up and down buttons on the inverter, go to **Settings > Set Address > select correct number > Enter**.

*This address is used to identify inverters when multiple inverters are read by one device.

6.3 Signal quality

The most common reason why the WiFi-stick cannot establish a good connection to the remote Autarco server is a weak WiFi connection to the local router. Check whether the stick has a sufficient signal:

- Check the signal quality in chapter 3. A **signal quality of 30% or more is sufficient**.
- If the signal quality is less than 30%, please move the router closer to the inverter with a stick. If this is not possible, install one or more WiFi repeaters (also called WiFi extenders) between the local router and the inverter.
- Make sure that the network name (SSID) of the WiFi repeater is different from the network name of the router, for example by adding "-extended". By doing so, you ensure that the LAN-stick connects to the repeater and not directly to the router. 21
- Follow the instructions in chapter 3 after installing the WiFi repeater.

6.4 Local router settings

If the signal quality is insufficient, or if you cannot connect to the local WiFi network at all, check the settings below on the local router to ensure and optimize WiFi connectivity.

- Log in to the router by browsing the router's IP address using a computer, laptop, tablet, or mobile phone that is connected to the router's wireless network.

If you don't know the router's IP address, see the following web page:

<http://www.computerworld.com/article/2474776/network-security-find-the-ip-address-of-your-home-router.html>



WARNING! Autarco does not and cannot know the router username and password. Default usernames and passwords depend on the router brand and series.

Try changing the following settings on the router:

- Many routers are configured to use multiple protocols from the WiFi 802.11 family, eg b/g/n. Configure the router to use only 802.11n or only 802.11g.

On some routers, the alternatives are 802.11b/g/n and 802.11b/g (so-called 'mixed modes'). In these cases, select the last option: 802.11b/g.

You want to have as few protocols as possible 'mixed'.

- Make sure the wireless channel is between **1 and 11** .
- Set WiFi encryption to only one encryption type, such as WPA2-Personal or WPA2-PSK. Disable mixed or multiple encryption types.
- The stick can handle all characters, such as **!@#\$%&*()_+ -= []\{} | ; : ' " , . / < > ?**, but some characters are not allowed on all router/stick combinations. In case of problems, use only alphanumeric (letters and/or numbers) characters, such as **az, AZ, A9** and **09** for the network name (SSID) and WiFi password.
- The router must dynamically assign IP addresses to connected devices. This is called DHCP (Dynamic Host Configuration Protocol). Please enable **DHCP** on the router.
- Some routers may require a region setting to work correctly. If so, choose a region setting.



WARNING! Changing some of these router settings may disconnect other connected devices such as computers, laptops, tablets or mobile phones. Please reconnect them with the new settings.

7 FCC Certification

This device complies with part 15 of the FCC Rules.

Operation is subject to the following two conditions:

1. This device may not cause harmful interference, and
2. This device must accept any interference received, including interference that may cause undesired operation.

FCC warning:

Any Changes or modifications not expressly approved by the party responsible for compliance could void the user's authority to operate the equipment.

Note:

This equipment has been tested and found to comply with the limits for a Class B digital device, pursuant to part 15 of the FCC Rules. These limits are designed to provide reasonable protection against harmful interference in a residential installation. This equipment generates uses and can radiate radio frequency energy and, if not installed and used in accordance with the instructions, may cause harmful interference to radio communications. However, there is no guarantee that interference will not occur in a particular installation.

If this equipment does cause harmful interference to radio or television reception, which can be determined by turning the equipment off and on, the user is encouraged to try to correct the interference by one or more of the following measures:

- Reorient or relocate the receiving antenna.
- Increase the separation between the equipment and receiver.
- Connect the equipment into an outlet on a circuit different from that to which the receiver is connected.
- Consult the dealer or an experienced radio/TV technician for help.

This equipment complies with FCC radiation exposure limits set forth for an uncontrolled environment. This equipment should be installed and operated with a minimum distance 20cm between the radiator & your body.