





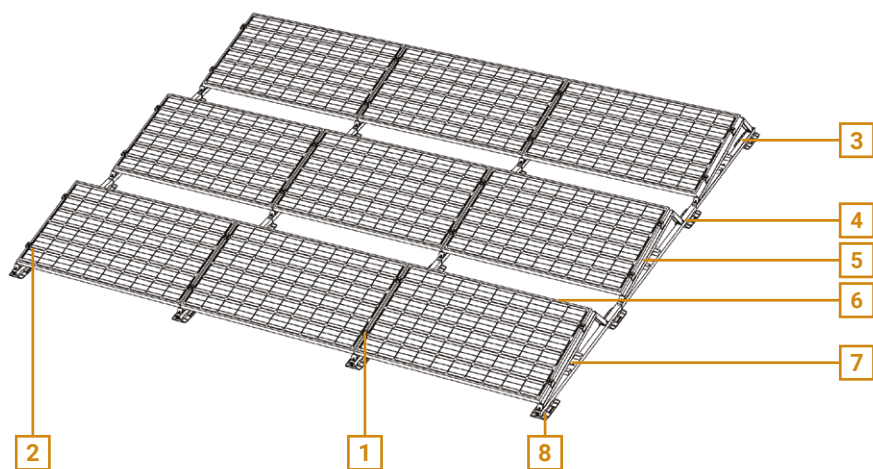
Matrix universal series

autarco

The Autarco Matrix mounting system has grown into one of the most popular mounting systems for solar panels on flat roofs, based on quality, service and ease of installation. It is ideal for both large and small installations. Thanks to the smart and stable construction, ultra-fast assembly is possible whilst ensuring the solar panels are safely supported.




- 10** 10-year product warranty
-  Flat roof system
-  Landscape orientation
-  One tool required for installation
-  Fit for different module thicknesses









FASTENINGS

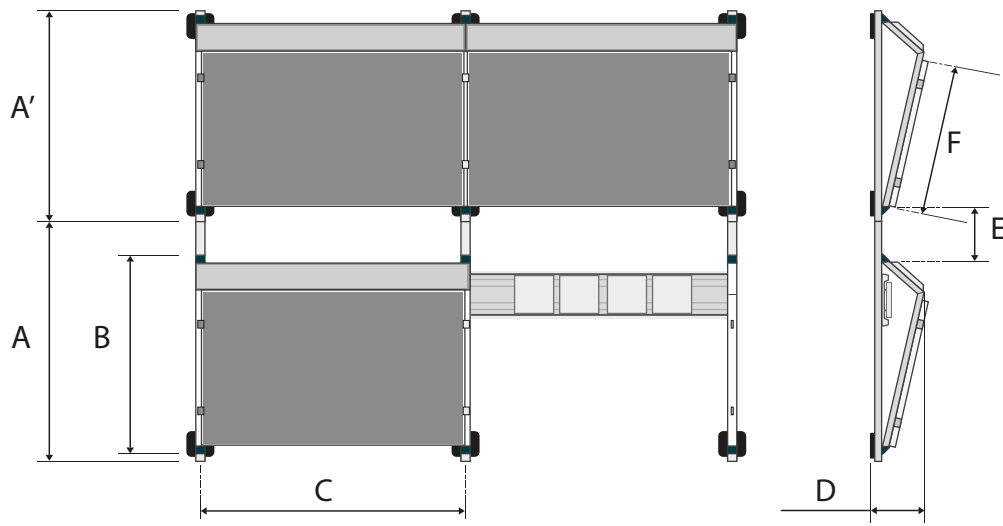
- 1** **Mid clamp**
M3.MMC(B) 
- 2** **End clamp**
M3.MEC(B) 
- Short screw**
M3.MSS 
- Clamp screw**
M3.MCS(B) 

OPTIONAL COMPONENTS

-  **Rubber block**
M3.MRB
-  **Rubber mat**
M3.MRM

SYSTEM COMPONENTS

- 3** **Base unit (without connector)**
M3.MBU-1270E 
- 4** **Base unit (with connector)**
M3.MBU-1300M/1500M/1700M 
- 5** **Carrier**
M3.MC-12-50 
- 6** **Wind plate**
M3.MWP-1730 
- 7** **Ballast plate**
M3.MBP-1730 
- 8** **Foot**
M3.MF 



	UNIVERSAL 1300	UNIVERSAL 1500	UNIVERSAL 1700	UNIVERSAL END PIECE
A: Base unit (mm)	1300	1500	1700	1270 (A')
B: Carrier	Universal	Universal	Universal	Universal
C: Distance (mm)	Panel + 10	Panel + 10	Panel + 10	Panel + 10
D: Distance (mm)	306	306	306	306
E: Walkway (mm)	150	350	550	NVT
F: Panel Width (mm)	max. 1105*	max. 1105*	max. 1105*	max. 1105*
Panel angle (°)	12	12	12	12
Panel type	MHE & MHI series	MHE & MHI series	MHE & MHI series	MHE & MHI series
Material	Magnelis®, aluminium, stainless steel			

Suitable rooftypes

All flat roofs

* De drager ondersteuning loopt tot 1000 mm

	MIN. PANEL LENGTH	MAX. PANEL LENGTH
Ballast / Wind 1680	1556 mm	1636 mm
Ballast / Wind 1750	1626 mm	1706 mm
Ballast / Wind 1825	1701 mm	1781 mm
Ballast / Wind 2050	1926 mm	2006
Ballast / Wind 2125	2001	2081

The specifications contained in this datasheet may deviate slightly from our actual products due to on-going product improvement and are subject to change at any time without prior notice.

