

DH200F

Commercial battery cabinet

The DH200F is an AC-coupled battery cabinet for commercial and industrial energy storage. This all-in-one solution provides storage capacity of 215kWh with an integrated power conversion system (PCS) of 100kW. It offers optional direct PV connection (MPPT module) as well as off-grid operation (STS).

- + All-in-one integrated solution
- + Optional off-grid operation
- + 0.5 C charging rate
- + Optional direct PV connection
- + 6000 cycles*
- + Integrated 100kW PCS
- + Parallel connection up to 12 cabinets (2.5MWh)
- + Integrated fire extinguishing system



General characteristics

Dimensions (W x H x D)	1850 x 1200 x 2250 mm
Net Weight	2900 kg
Battery type	LFP (LiFePO ₄)
Max. site altitude	3000m (derating above 2000m)
IP protection class	IP55
Anti-corrosion	C3
Cooling principle	Air cooling
Warranty	5 years**
Display	Touchscreen
Communication interfaces	Ethernet/4G
Cycle life	6000 cycles / 80% EOL (25°C, 100% DOD, 0.5P)
Fire extinguishing system	Level 3 detection + system level fire protection
Standards	GB/T36276, GB/T34131, IEC62619, IEC63056, IEC60730, EN62477, EN61000-6-2/4, IEC62109, IEC62040, C10/11
Operating temperature range	-20°C to +50°C
Relative humidity range	0% to 95%



Battery technical specifications

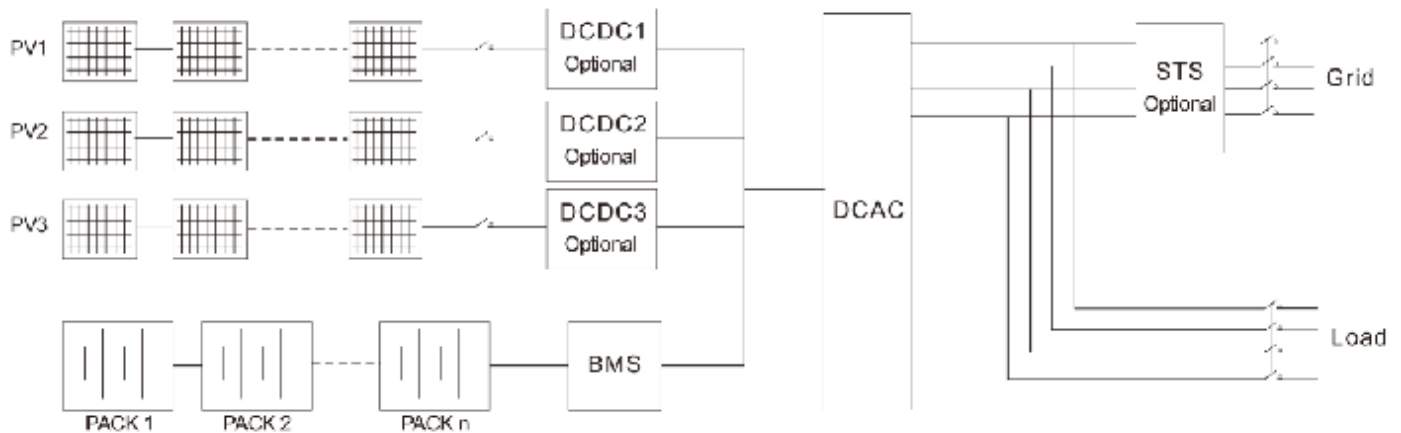
System capacity (kWh)	215
Cell capacity (Ah)	280
Module configuration	1P16S
Battery packs	15 per cabinet

AC output (on-grid/ off-grid)

Rated output power (kW)	100
Rated output voltage (Vac)	400
Voltage range (Vac)	320 - 460
Max output current (A)	167
Short circuit current (A)	400
Wiring method	3P4L+PE
Rated frequency (Hz)	50 / 60
Grid frequency range (Hz)	45 - 55 / 55 - 65
THDI (on-grid)	<=3%
Switch time (off-grid) (ms)	<20 (possible <5, depending on the grid connection)

PV input characteristics (optional MPPT modules)

Input Voltage (V)	200 - 670
Number of MPPT modules	0-3
Max. input power per MPPT module (kW)	50
Max input current (A)	100



* at 25C and 100% DOD with 1h between the cycles.

** Please see the warranty document for detailed information about the scope of the 5 year warranty.

The specifications contained in this datasheet may deviate slightly from our actual products due to on-going product improvement and are subject to change at any time without prior notice.