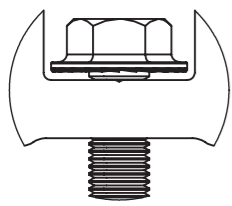
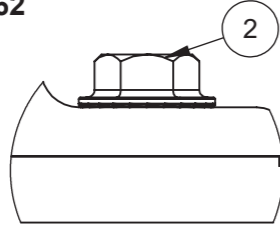


**DETAIL A**  
SCALE 1:1

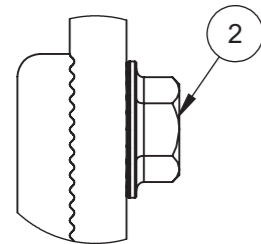
**THIS SECTION HAS 4 ADJUSTABLE STEPS**  
41-48-55-62



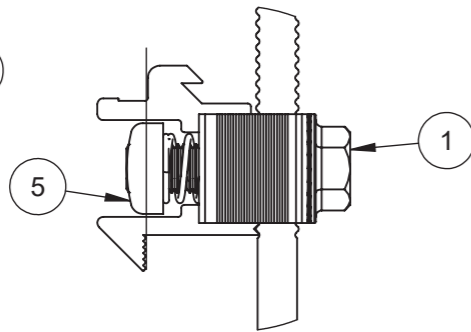
**DETAIL B**  
SCALE 1:1



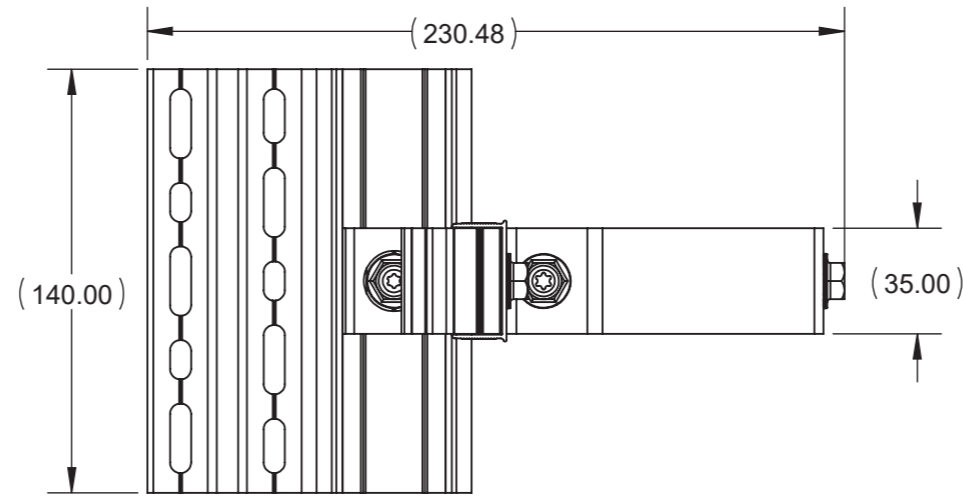
**DETAIL C**  
SCALE 1:1



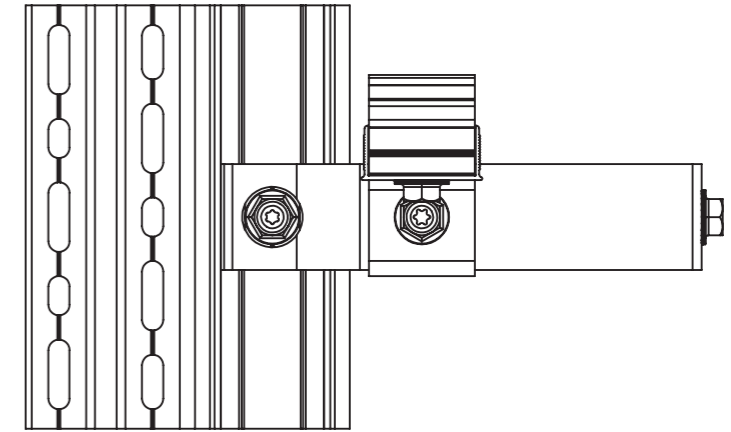
**DETAIL D**  
SCALE 1:1



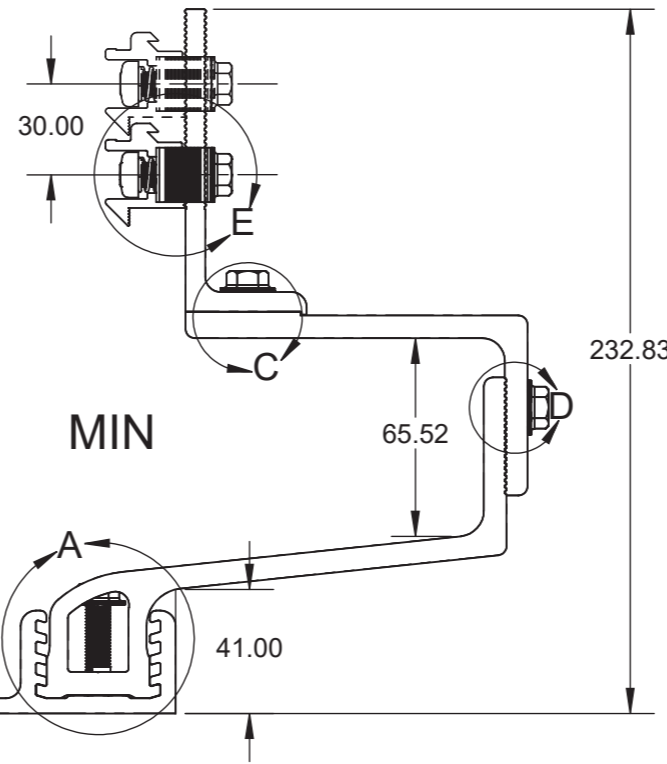
**DETAIL E**  
SCALE 4:5



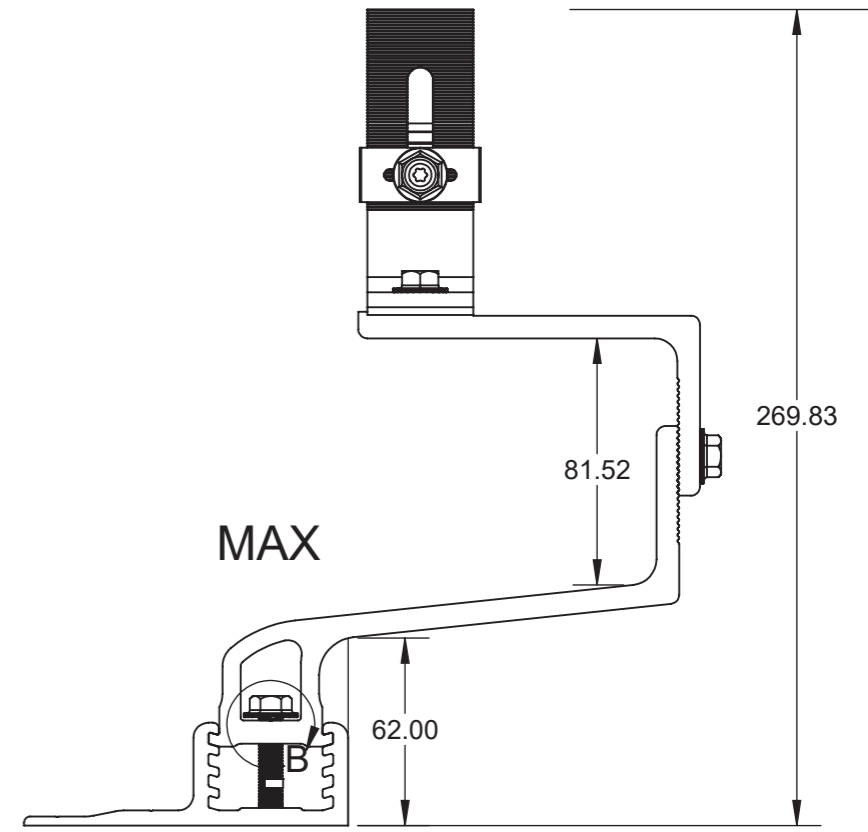
**PORTRAIT ORIENTATION**



**LANDSCAPE ORIENTATION**



**MIN**

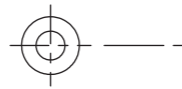


**MAX**

**Note:**

- in detail C, D item #2 needs to be tightened with 7 to 10nm
- in detail E, item #1 needs to be tightened so item #5

Equals the blue line



THIRD  
ANGLE  
PROJECT

**Proprietary notice:**

The information contained in this drawing is the sole property of Autarco.  
Any reproduction in part or as a whole without the written permission of autarco is prohibited.

Size: **A3**

DO NOT SCALE DRAWING

**Material:**

Hook: AL 6005-T5  
Screw & Spring: SUS 304

**Unless otherwise specified all dimension are in mm**

**Tolerances:**

.X ± 0.1 MM  
.XX ± 0.05 MM  
Angels 0.5°

**Finish:**

Mill

**Description/Title:**

Apex r6 adjustable screw hook  
Portrait & landscape orientation

**Drawing/Part N°:**

M2.AR6THSX1.1

**Weight:**

796.94 GRAMS

**Date:**

02/08/2023

**Scale:** 2:5

**Sheet:** 1 of 1

**autarco**