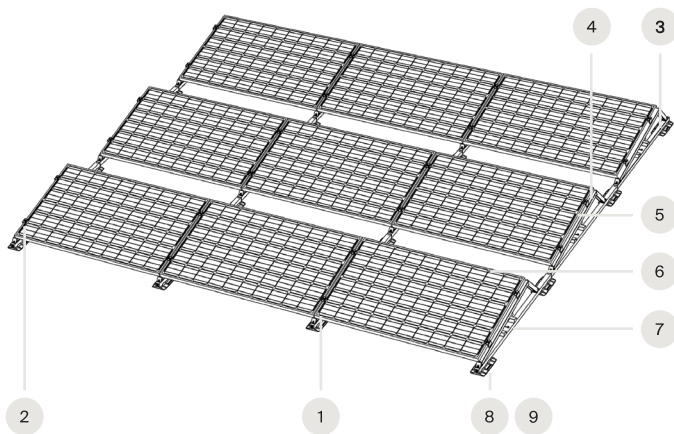
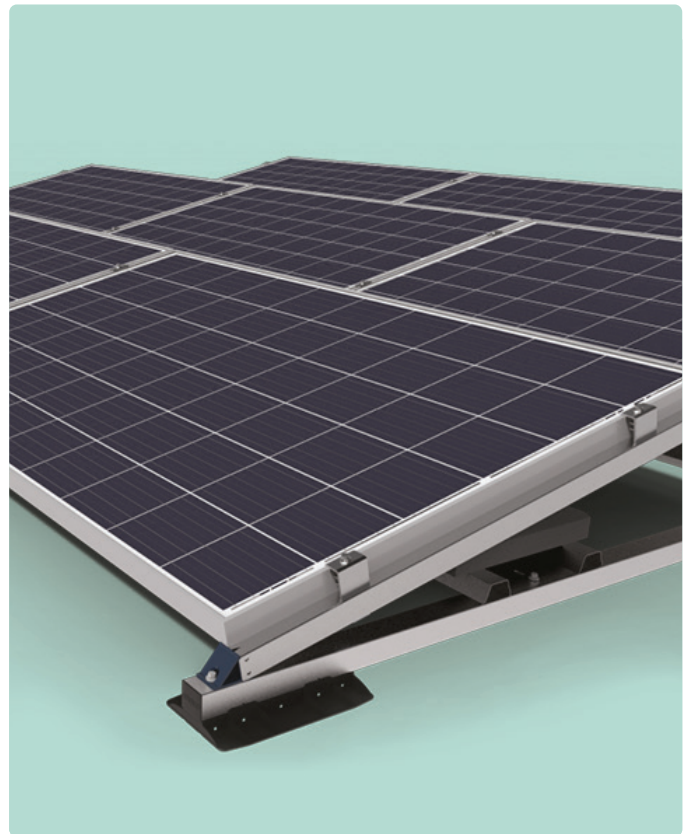


Matrix

Universal series

The Autarco Matrix mounting system has grown into one of the most popular mounting systems for solar panels on flat roofs, based on quality, service and ease of installation. It is ideal for both large and small installations. Thanks to the smart and stable construction, ultra-fast assembly is possible whilst ensuring the solar panels are safely supported.

- + 15-year product warranty
- + Flat roof system
- + Landscape orientation
- + One tool required for installation
- + Suitable for different module thicknesses
- + Install up till 5 degree surface inclination



Fastenings

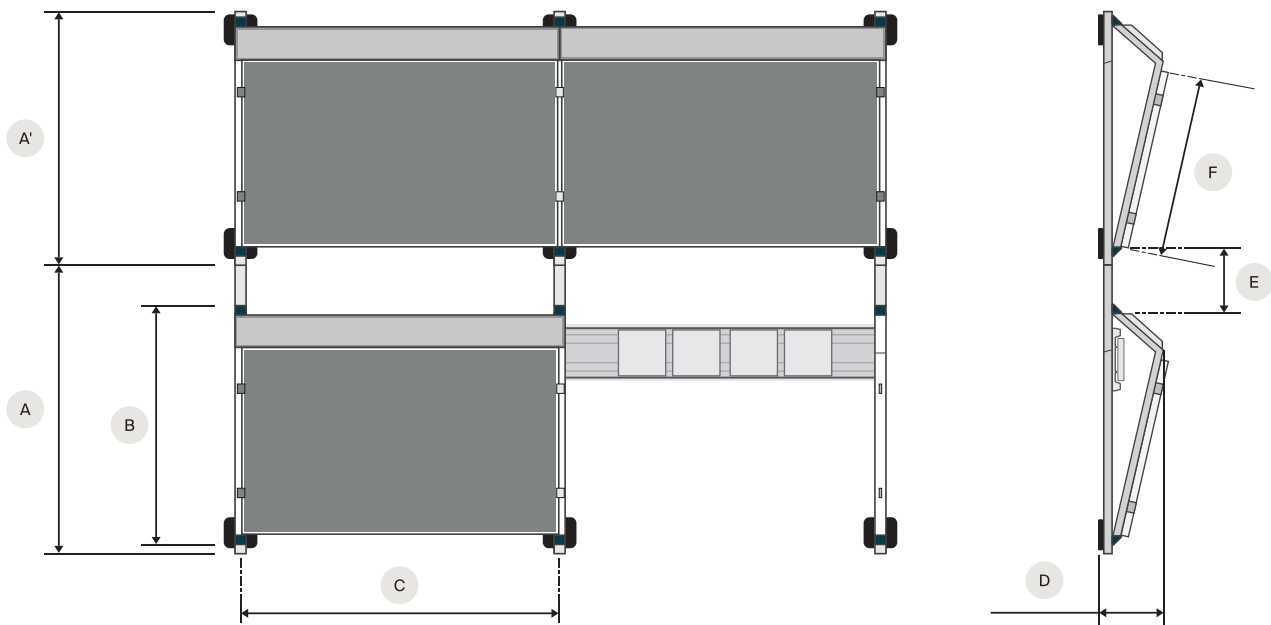
	1	End clamp	M3.MMC(B)
	2	Mid clamp	M3.MEC(B)
		Short screw	M3.MSS
		Clamp screw	M3.MCS(B)

Optional components

	Rubber block	M3.MRB
	Rubber mat	M3.MRM
	Side plates	M3.MSP-UL(B)
	Sizing tool	M3.MST-2220

System components

	3	Base unit (without connector)	M3.MBU-1270E/1395E
	4	Base unit (with connector)	M3.MBU-1300M/1500M/1700M
	5	Carrier	M3.MC-12-50/50-XL
	6	Wind plate	M3.MWP-1825/1975/2200
	7	Ballast plate	M3.MBP-1825/1975/2200
	8	Foot	M3.MF
	9	Booster Foot	M3.MBF

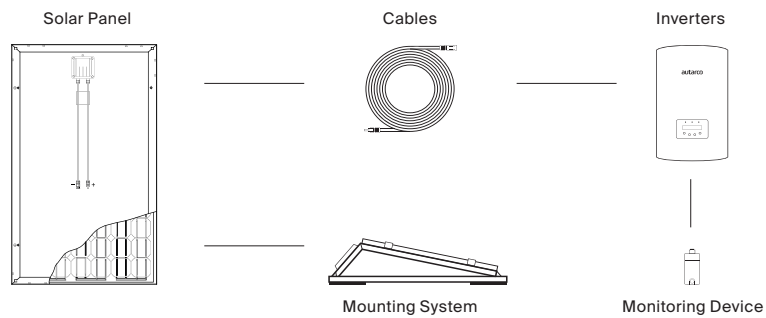


	UNIVERSAL 1300	UNIVERSAL 1500	UNIVERSAL 1700	UNIVERSAL END PIECE
A Base unit (mm)	1300	1500	1700	1270 / 1395 (A')
B Carrier	Universal	Universal	Universal	Universal
C Distance (mm)	Panel + 10	Panel + 10	Panel + 10	Panel + 10
D Distance (mm)	306	306	306	306
E Walkway (mm)	150	350	550	NVT
F Panel width (mm)	max. 1105*	max. 1105*	max. 1105*	max. 1105*
Panel angle	12 °	12 °	12 °	12 °
Panel type	MHI series	MHI, MHJ, MHL & TBJ series	MHI, MHJ, MHL & TBJ series	MHI, MHJ, MHL & TBJ series
Material	Magnelis®, aluminium, stainless steel			

Suitable rooftypes Flat roofs (Bitumen, PVC, EPDM, TPO); Up to 5 degree surface inclination

* The carrier support extends up to 1000 mm.

	MIN. PANEL LENGHT	MAX. PANEL LENGHT
Ballast / Wind 1825	1701 mm	1781 mm
Ballast / Wind 2050	1926 mm	2006 mm
Ballast / Wind 2125	2001 mm	2081 mm



The specifications contained in this datasheet may deviate slightly from our actual products due to on-going product improvement and are subject to change at any time without prior notice.