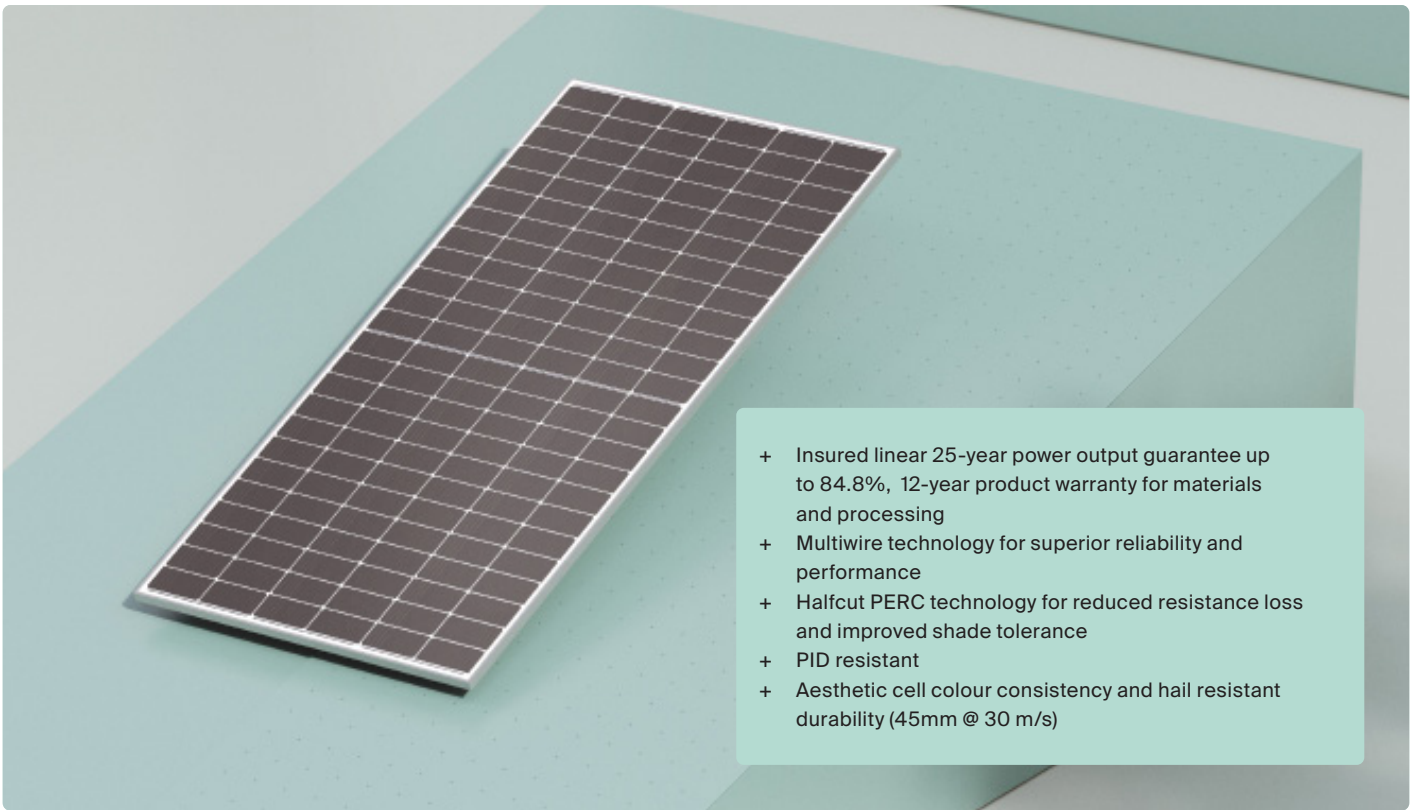


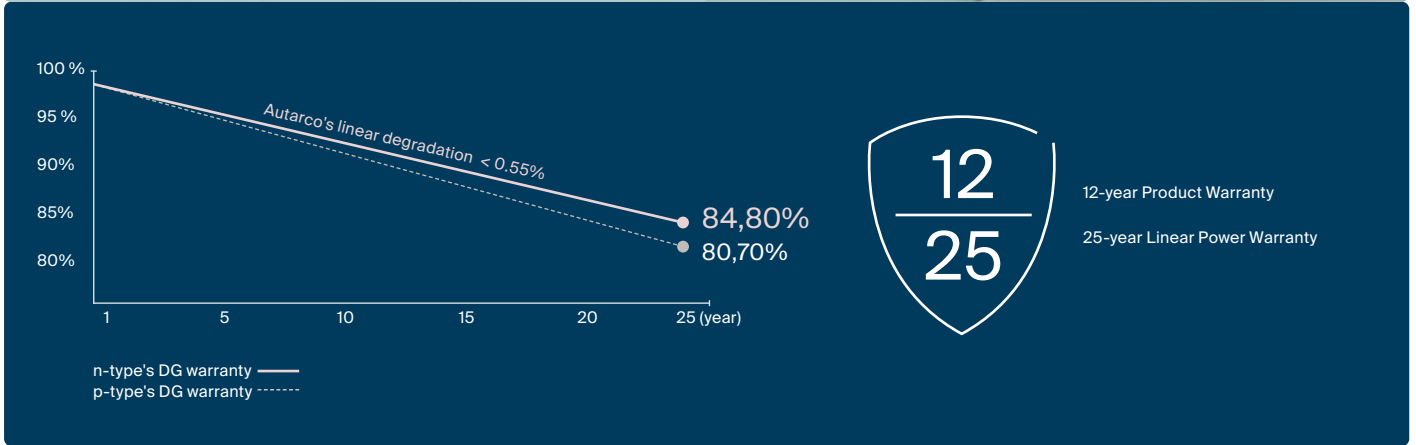
MHN

Series solar panels

Reach your full potential



- + Insured linear 25-year power output guarantee up to 84.8%, 12-year product warranty for materials and processing
- + Multiwire technology for superior reliability and performance
- + Halfcut PERC technology for reduced resistance loss and improved shade tolerance
- + PID resistant
- + Aesthetic cell colour consistency and hail resistant durability (45mm @ 30 m/s)



540~555W

Power Range

0~+5W

Power Tolerance

21.5%

Max Module Efficiency

≤ 2.0%

First Year Power Degradation

≤ 0.55%

Year 2-25 Power Degradation

Electrical specification

STC: Irradiance 1000W/m², Cell Temperature 25 °C, AM=1.5

Rated output (P _{mpp} / W _p)	540	545	550	555
Open circuit voltage (V _{oc} / V)	49.70	49.90	50.10	50.30
Short circuit current (I _{sc} / A)	13.72	13.81	13.90	13.98
Rated voltage (V _{mpp} / V)	41.76	41.93	42.10	42.27
Rated current (I _{mpp} / A)	12.93	13.00	13.06	13.13
Module efficiency	20.9%	21.1%	21.3%	21.5%

NMOT: Irradiance 800W/m², Ambient Temperature 20 °C, AM=1.5, Wind Speed 1m/s

Rated output (P _{mpp} / W _p)	403.5	407.3	411.0	414.8
Open circuit voltage (V _{oc} / V)	46.97	47.16	47.34	47.53
Short circuit current (I _{sc} / A)	11.13	11.20	11.27	11.35
Rated voltage (V _{mpp} / V)	38.92	39.08	39.24	39.39
Rated current (I _{mpp} / A)	10.37	10.42	10.48	10.53

Temperature ratings

Temp. coefficient (P_{mpp}) -0.34% / °CTemp. coefficient (I_{sc}) +0.04% / °CTempe. coefficient (V_{oc}) -0.25% / °C

Nominal module operating temperature (NMOT) 41°C (+/- 2°C)

Operating parameters

No. of diodes 3

Junction Box IP rating IP 68

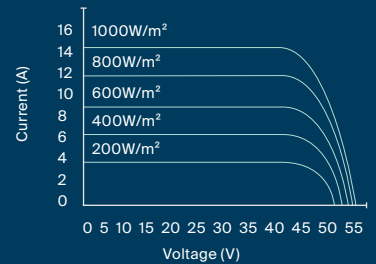
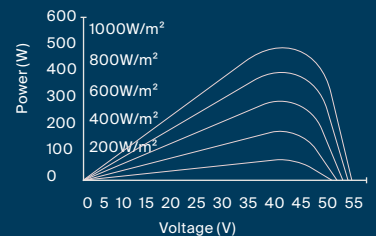
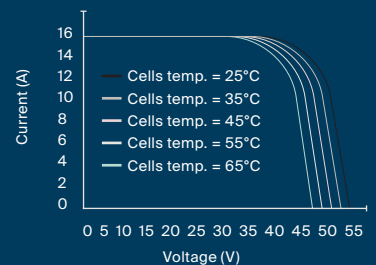
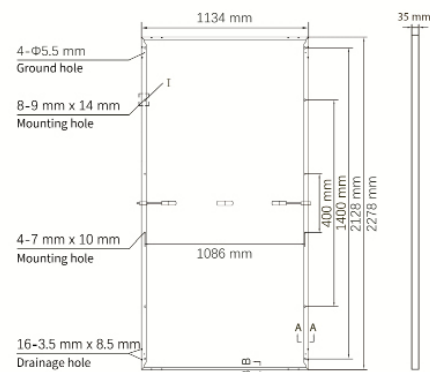
Max. series fuse rating 25 A

Max. system voltage (IEC/UL) 1500V_{DC}

Mechanical specifications

Dimensions (W x H x D)	2278 x 1134 x 35mm
Cells	144 (182 x 91 mm), p type mono-crystalline, in a 2 x 6 x 12 matrix connected in series
Frame technology	Aluminum, silver anodized
Construction	Front: 3.2mm glass (coated)
Cable length (IEC/UL)	1200mm
Cable diameter (IED/UL)	4 mm ² / 12 AWG
Max. mechanical test load	5400 (front) / 2400 Pa (back)
Connector type (IEC/UL)	MC4-EVO2A
Operating temperature	-40°C to 85°C
Passed hail test	45mm hail @ 30.7m/s
Fire performance	Class C (IEC) or Type 2 (UL)
Module weight	26.9 kg
Packing unit	31 pcs / box (Subject to sales contract)
Weight of packing unit	893 kg
Quantity per 40'HQ container	620 pcs

Curve

Current-Voltage (550W)**Power-Voltage (550W)****Current-Voltage (550W)****Solar panel****Frame cross section**