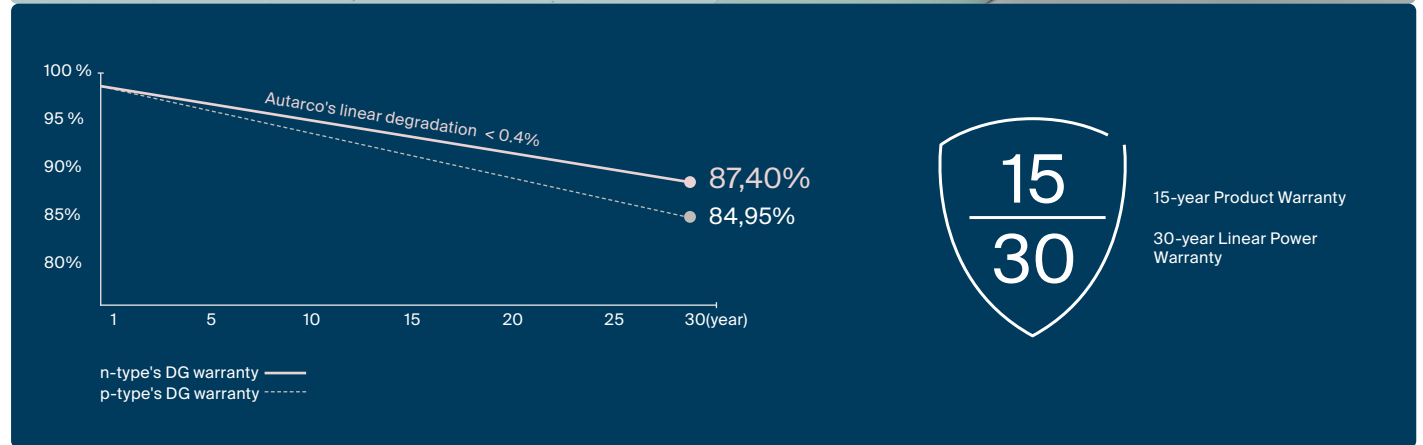
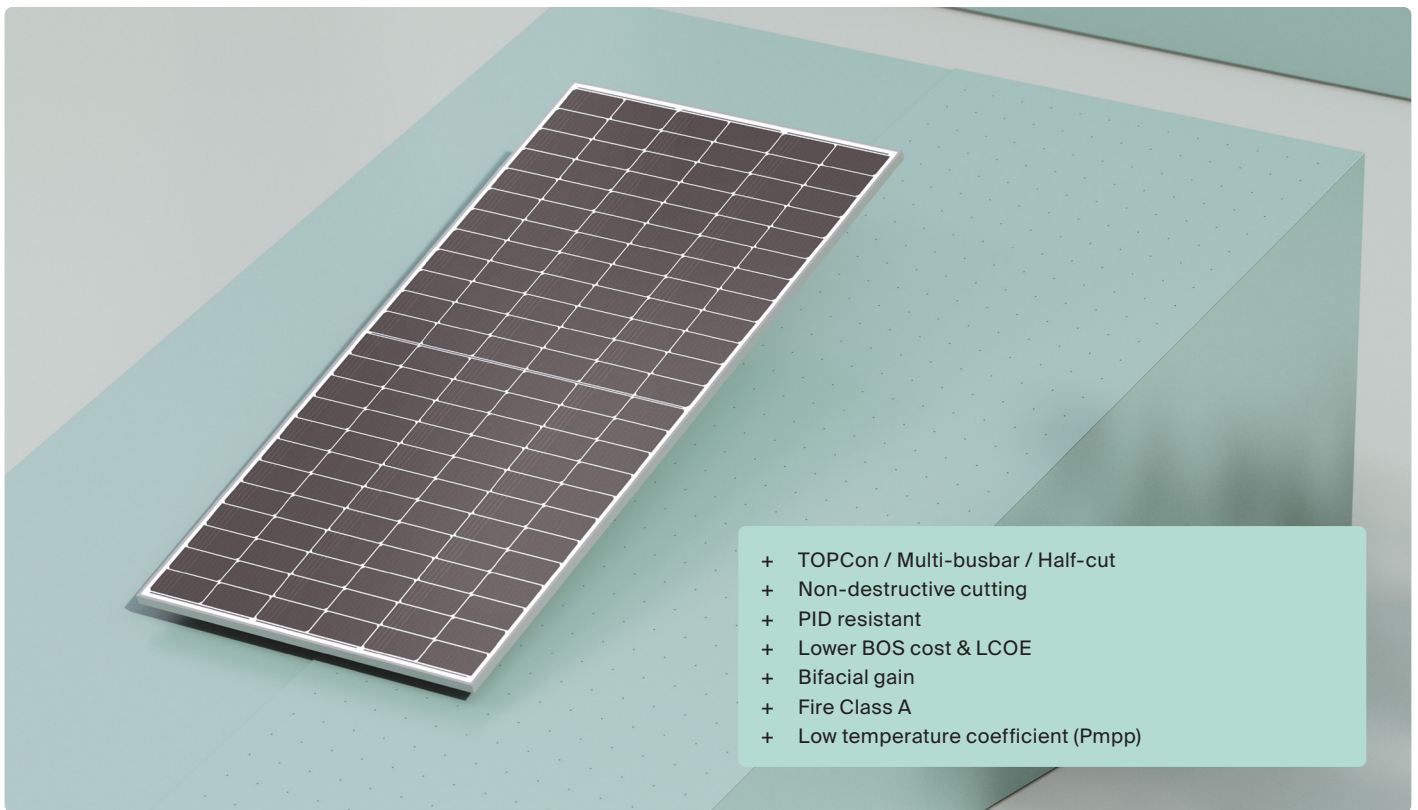


TBN

Series solar panels

Reach full potential



565~585W

Power Range

0~+3W

Power Sorting

22,3%

Max Module Efficiency

≤ 1,0%

First Year Power Degradation

≤ 0,4%

Year 2-30 Power Degradation

Electrical specification

STC: Irradiance 1000W/m², Cell Temperature 25 °C, AM=1.5

Rated output (Pmpp/Wp)	565	570	575	580	585
Open circuit voltage (Voc/V)	51,49	51,73	52,20	52,44	52,68
Short circuit current (Isc/A)	13,89	13,95	14,04	14,11	14,18
Rated voltage (Vmpp/V)	42,68	42,86	43,04	43,22	43,40
Rated current (Impp/A)	13,24	13,30	13,36	13,42	13,48
Module efficiency	21,87%	22,07%	22,26%	22,45%	22,65%

NMOT: Irradiance 800W/m², Ambient Temperature 20 °C, AM=1.5, Wind Speed 1m/s

Rated output (Pmpp/Wp)	433	436	440	444	448
Open circuit voltage (Voc/V)	49,30	49,53	49,98	50,21	50,44
Short circuit current (Isc/A)	11,19	11,24	11,31	11,36	11,42
Rated voltage (Vmpp/V)	40,57	40,74	40,92	41,09	41,26
Rated current (Impp/A)	10,66	10,71	10,76	10,81	10,86

Temperature ratings (STC)

Temp. coefficient (Pmpp)	-0,29%/°C
Temp. coefficient (Isc)	+0,043%/°C
Tempe. coefficient (Voc)	-0,25%/°C
Nominal module operating temperature (NMOT)	42 °C (+/- 2 °C)

Operating parameters

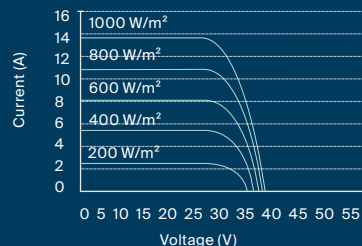
No. of diodes	3
Junction Box IP rating	IP 68
Max. series fuse rating	30 A
Max. system voltage (IEC/UL)	1500V _{DC}

Mechanical specifications

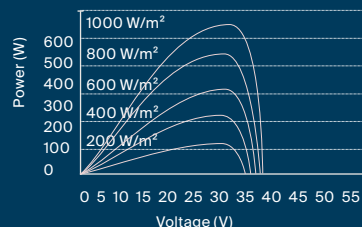
Outer dimensions (L x W x H)	2278 x 1134 x 30 mm
Cell type	144 (182 x 91 mm), n type mono-crystalline, in a 2 x 6 x 12 matrix connected in series
No. of cells	144 (6*24)
Frame technology	Aluminum, silver anodized
Front / Back glass	Front / Back: 2.0 + 2.0 mm glass
Cable length (IEC/UL)	1200mm
Cable diameter (IEC/UL)	4 mm ² / 12 AWG
Max. mechanical test load	5400 Pa (front) / 2400 Pa (back)
Connector type (IEC/UL)	MC4-EVO2A
Operating temperature	-40°C to 85°C
Fire performance	Class A
Module weight	32.0 kg
Packing unit	36 pcs / box (Subject to sales contract)
Weight of packing unit	1207 kg
Modules per 40' HQ container	720 pcs

Curve

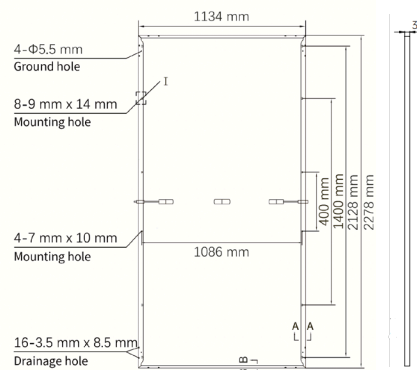
Current-Voltage (555W)



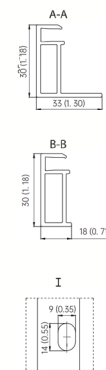
Power-Voltage (555W)



Solar panel



Frame cross section



Refer to Autarco installation manual or contact technical department. Maximum Mechanical Test Load=1.5xMaximum Mechanical Design Load.

© Autarco Group B.V. Reserves the right of final interpretation. Please contact our company to use the latest version for contract.