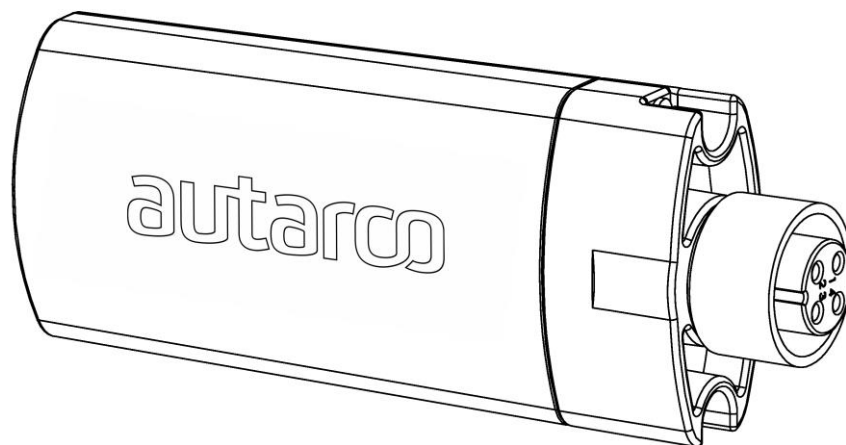


autarco

Installation Manual

ETHERNET stick monitoring





Contact Information

Autarco Group B.V.
Schansoord 60
5469 SH Erp
The Netherlands

www.autarco.com
info@autarco.com

Other Information

This manual is an integral part of the unit. Please read the manual carefully before installation, operation or maintenance. Keep this manual for future reference.

Product information is subject to change without notice. All trademarks are recognized as the property of their respective owners.

© Autarco Group B.V.
All rights reserved.

Table of Contents

1.	Introduction	3
1.1	Read this first.....	3
1.2	Monitoring connection topography	3
2.	Installation	4
2.1	Install the Ethernet stick.....	4
2.2	Connect the Ethernet cable.....	5
2.3	Check the connection	5
2.4	Registration	5

1. Introduction

1.1 Read this first

The main purpose of this user manual is to provide instructions and detailed procedures for installing, operating, maintaining, and troubleshooting the Autarco Ethernet stick in Autarco string inverter models.

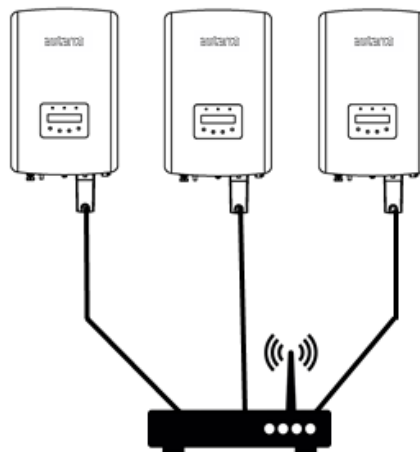
To reduce the risk of electrical shock, and to ensure the safe installation and operation of the Ethernet stick, the following safety symbols appear throughout this document to indicate dangerous conditions and important safety instructions.



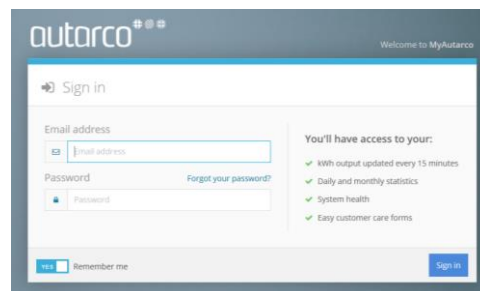
WARNING! Indicates safety instruction, which if not correctly followed, can result in injury or property damages.

Please keep this user manual available at all times.

1.2 Monitoring connection topography



Local router

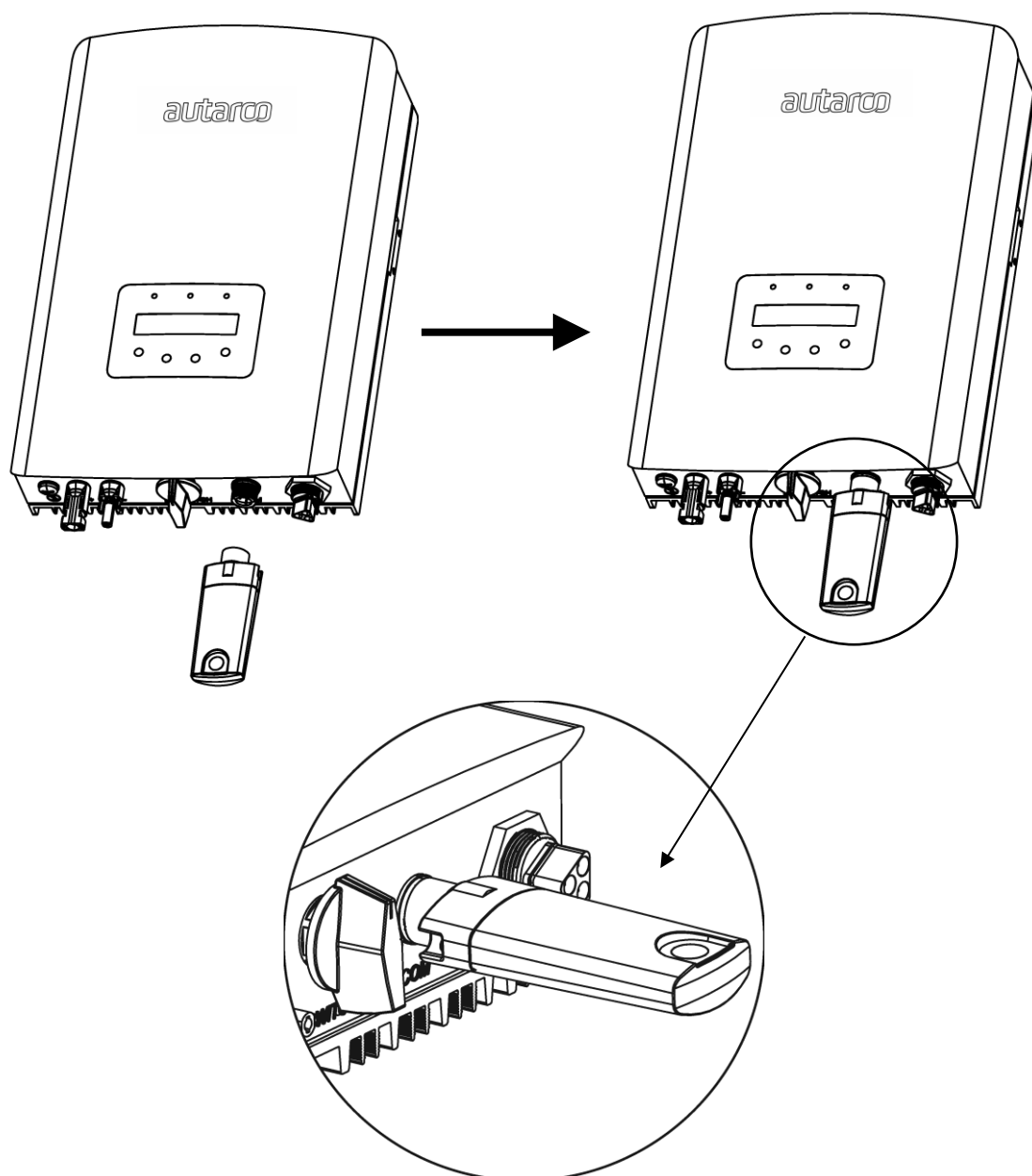


<https://my.autarco.com>

2. Installation

2.1 Install the Ethernet stick

Connect the Ethernet stick to the corresponding communication interface on the inverter (make sure the four connector pin numbers correspond) and tighten the Ethernet stick.



WARNING! The device must be kept away from large metal objects and electrical devices with strong magnetic fields, such as microwave oven, refrigerator, cordless phone, concrete wall, PV panel and metal wall, to ensure the communication quality. Communication quality may be

affected in lightning storms.

2.2 Connect the Ethernet cable

Connect the ethernet cable (minimal CAT4) in the RJ45 connector of the Ethernet stick, to your local router

2.3 Check the connection

If the connection is successfully made you should see lights on both devices:

- Ethernet Stick: The red LED on the inside near the RJ45 connection.
- Router: in most cases, two lights will display on the router when the connection is transferring data.

You can also see whether the connection is correct on MyAutarco. Go to <https://my.autarco.com/> and open the 'monitoring setup' page. Enter the Echternet stick serial number under 'Check connection' and click the button.

2.4 Registration

Congratulations you are now successfully connected and the Ethernet Stick is sending data to the Autarco server. Follow the registration process on <https://my.autarco.com/>