

# Monitoring sticks

autarco

Autarco offers three kinds of monitoring sticks for connecting Autarco inverters to the internet ensuring data is successfully submitted to Autarco for use in the Smart Asset Management service. Receiving the inverter messages are a crucial part of Autarco's ability to do pro-actively monitoring, offer installers a Smart Asset Management service.



Wi-Fi stick

- ✓ Low cost and simple install
- ✗ WiFi connection often unstable



LAN stick

- ✓ Low cost and reliable
- ✗ Additional cabling required



Z-WAVE stick

- ✓ Suitable for smart home installations (IoT)
- ✗ Smart Home supported via partners



GPRS stick

- ✓ Reliable connection
- ✗ Additional cost for data subscription

## Quality certificates

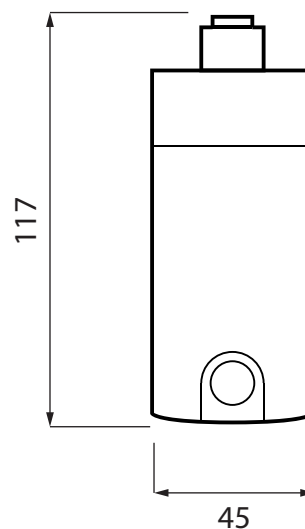
□ FCC, CE



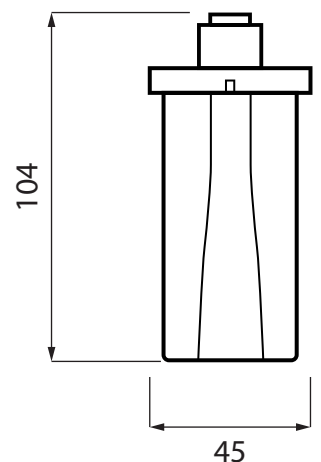
## General characteristics

<b>Max. number of inverters</b>	1
<b>Inverter connection</b>	RS485
<b>Inverter communication</b>	4 pin
<b>Operating voltage</b>	5V DC
<b>Max. current</b>	70 A (at 60°C)
<b>Data collection intervals</b>	5sec
<b>Preferences setting</b>	Web server / SMS
<b>Warranty</b>	2 years
<b>IP rating</b>	IP65

Front Wifi and Z-wave sticks



Front GPRS and LAN sticks



## Physical properties

	S4.WIFI-STICK	S4.LAN-STICK	S4.ZWAVE-STICK	S4.GPRS-STICK
<b>Dimensions (W x H x D)</b>	118 x 43 x 20	118 x 43 x 43	118 x 43 x 20	118 x 43 x 43
<b>Weight (g)</b>	50	56	50	56
<b>Operating current (mA)</b>	130	110-200	500	500

## Data characteristics

<b>Connection type</b>	Wireless (Wi-Fi)	Cabled (RJ45)	Wireless (Z-WAVE)	Wireless (Sim Data)
<b>Connection to</b>	Router	Router	Z-wave gateway	Satellite (GPRS)
<b>Smart Home capability</b>	No	No	Yes	No
<b>Unobstructed range</b>	100m	Cable 50m	30m	N/A
<b>Wireless frequency</b>	2.412GHz-2.484GHz	N/A	868.42MHz in EU	850/900/1800/1900MHz
<b>Communication rate</b>	9600bps	1200-9600bps	9600bps	9600bps
<b>Wireless standard</b>	Wi-Fi (802.11 b/g/n)	N/A	Z-wave	GPRS class 12
<b>Antenna</b>	I-PEX antenna	N/A	I-PEX antenna	I-PEX connector
<b>Firmware updates</b>	Serial port	Ethernet	Wireless	Serial port
<b>Data storage</b>	N/A	2mbyte flash	N/A	N/A
<b>Data interval</b>	5min	1min	5min	5min
<b>Preference Setting</b>	Web Server	Web Server	Web Server	SMS

## Environmental characteristics

<b>Operating temperature (°C)</b>	-10°C to +85°C	-40°C to +85°C	-10°C to +85°C	-10°C to +85°C
<b>Operating humidity (%)</b>	-10% to 90% Relative humidity, no condens			
<b>Storage temperature (°C)</b>	-40°C to +125°C	-45°C to +90°C	-40°C to +125°C	-40°C to +125°C
<b>Storage humidity (%)</b>	<40%			

The specifications contained in this datasheet may deviate slightly from our actual products due to on-going product improvement and are subject to change at any time without prior notice.

