

# Power Export Limiting Device

autarco

The Autarco power export limiting device (PELD) allows you to control the power output of up to ten 3-phase inverters based on your real time grid exports. It constantly measures the grid power exports and compares it to a set maximum allowed export power, adjusting the output of the inverters constantly to make sure the set maximum is never breached.



- 5** 5-year warranty
- Active power limitation and control at grid-connection point
- Automatic control of loads for up to 10 inverters
- Easy commissioning with the PV System Setup Assistant
- WiFi, GPRS or LAN Monitoring

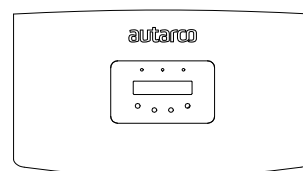
## Quality certificates



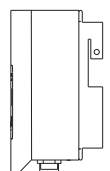
## General characteristics

<b>Dimensions (W x H x D)</b>	337 x 150 x 80mm
<b>Weight</b>	1.8kg
<b>Mounting</b>	Wall mounting
<b>Mounting location</b>	Indoor
<b>Status display</b>	3 LEDs: Power, Operation, Alarm
<b>Inverter communication</b>	RS485
<b>Remote communication</b>	WiFi, GPRS or LAN stick
<b>IP protection</b>	IP20
<b>Voltage supply</b>	Grid
<b>Input voltage</b>	100~240V AC, 50/60Hz
<b>Power consumption</b>	< 10W (max. 20W)
<b>Wi-Fi in free-field conditions</b>	Up to 100m
<b>RS485 cable</b>	100m

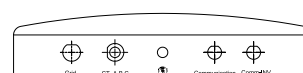
Front



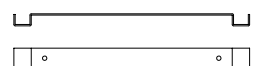
Side



Bottom



Bracket



## Connections

<b>Max number of connected devices</b>	Inverter: 10 Autarco PV inverters Communication: 1 Wi-Fi, GPRS or LAN stick
<b>Update function</b>	Manually or automatically through RS485
<b>Operation</b>	LCD or Autarco web monitoring
<b>Inverter</b>	See inverter communication
<b>Energy meter</b>	RJ45 connector for CT, 4P connector for grid detection

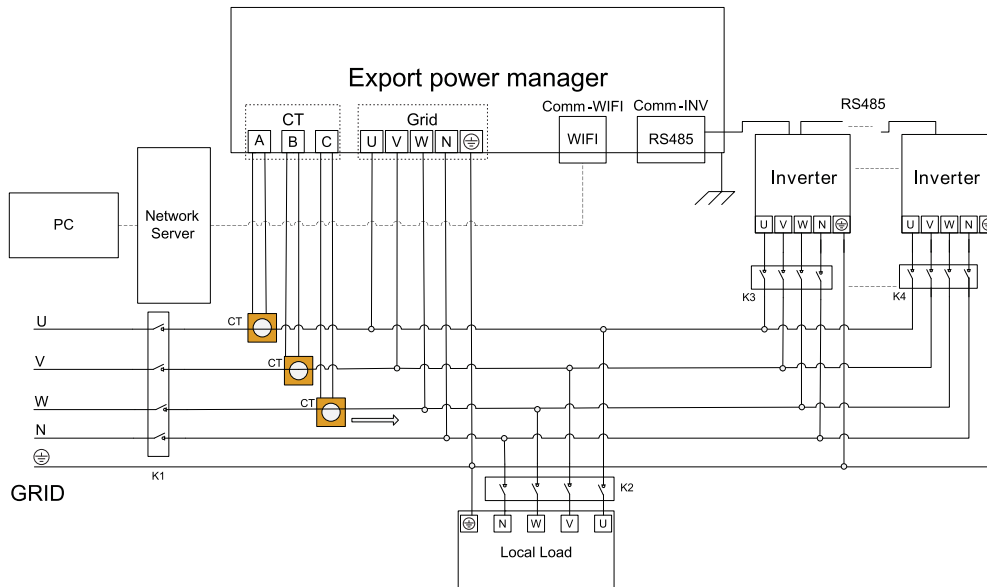
## Other characteristics

<b>Ambient temperature</b>	-25°C to +60°C
<b>Relative humidity range</b>	0% to 95%

## Accessory

<b>Current transformer (CT) ratio</b>	1000:1
<b>Wi-Fi, GPRS or LAN stick</b>	Connect to RS485 port

## Electrical Connection



The specifications contained in this datasheet may deviate slightly from our actual products due to on-going product improvement and are subject to change at any time without prior notice.

